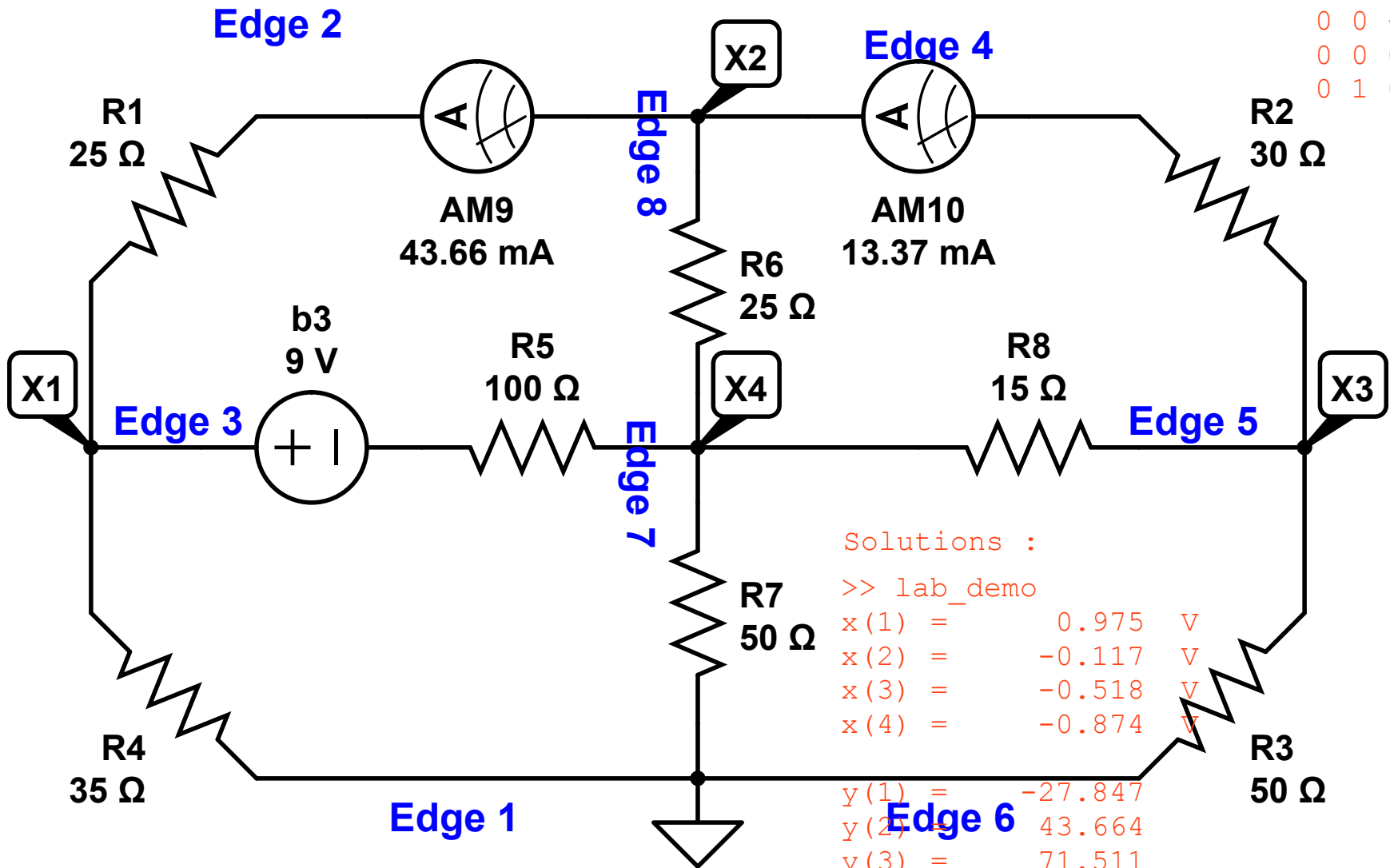


```
A = [1 0 0 0;
      -1 1 0 0;
      1 0 0 -1;
      0 -1 1 0;
      0 0 -1 1;
      0 0 -1 0;
      0 0 0 1;
      0 1 0 -1];
```



Solutions :

```
>> lab_demo
```

```
x(1) = 0.975 V
x(2) = -0.117 V
x(3) = -0.518 V
x(4) = -0.874 V
```

```
y(1) = -27.847
y(2) = 43.664
y(3) = 71.511
y(4) = 13.374
y(5) = 23.737
y(6) = -10.363
y(7) = 17.484
y(8) = -30.290
```